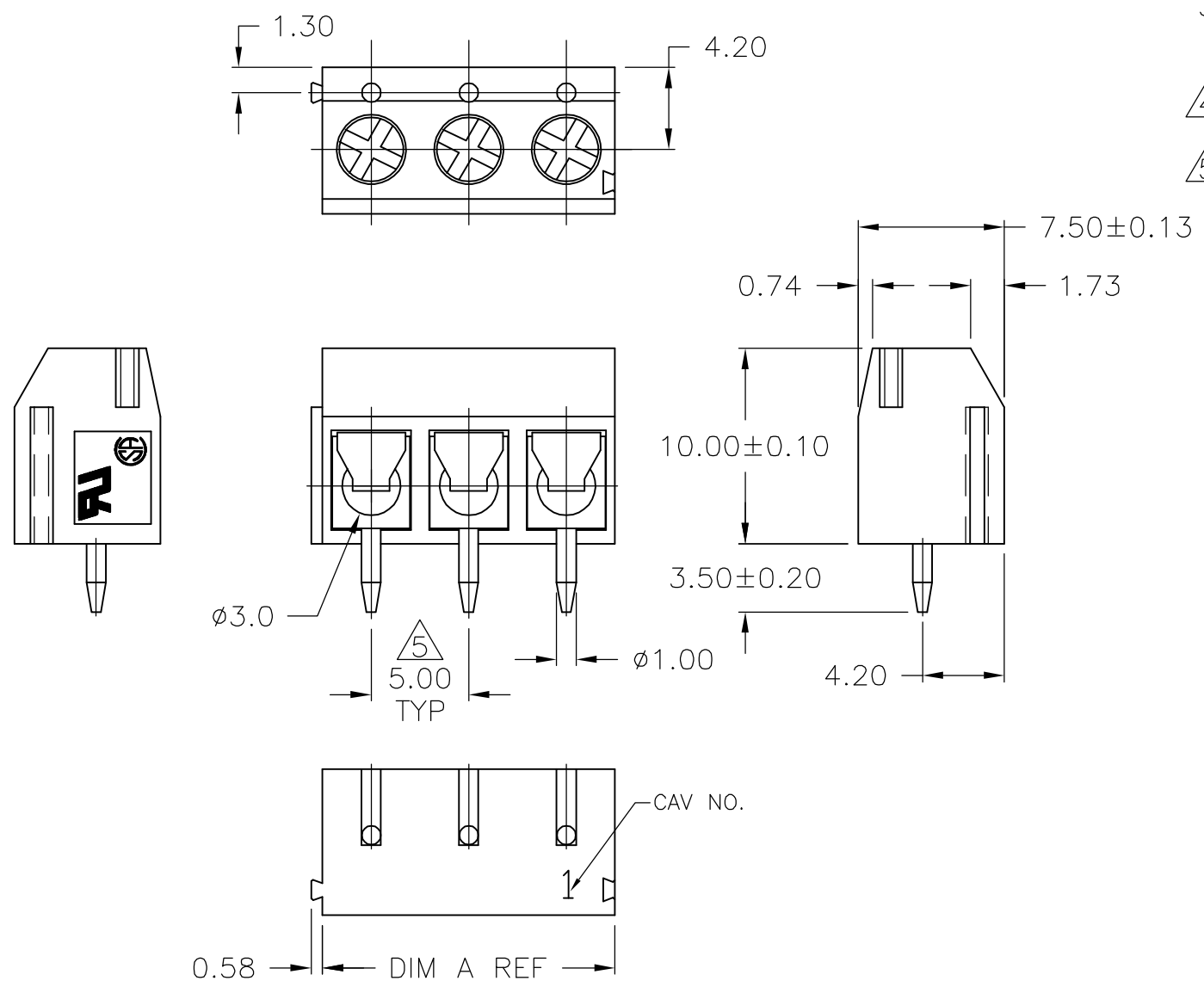


THIS DRAWING IS UNPUBLISHED. RELEASED FOR PUBLICATION
 © COPYRIGHT BY TYCO ELECTRONICS CORPORATION. ALL RIGHTS RESERVED.

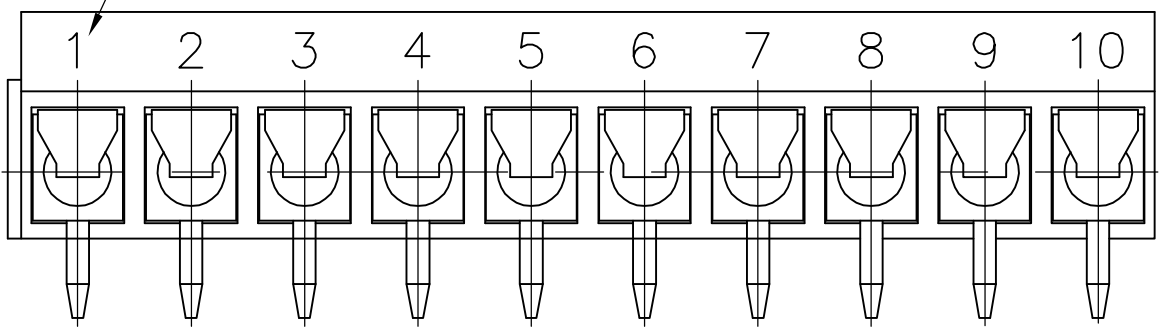
LOC	DIST	REVISIONS					
FT	0	P	LTR	DESCRIPTION	DATE	DWN	APVD
			02	REVISED PER ECO-06-14755	6/26/06	SS	CR

1. ALL DIMENSIONS ARE IN MM.
2. RECOMMENDED PC-BOARD-HOLES DIAMETER: $\phi 1.20\text{MM}$ TO $\phi 1.40\text{MM}$.
3. BUCHANAN LOGO TO APPEAR ON HOUSING LOCATION OPTIONAL WHERE SPACE PERMITS.

- △ WHITE INK MARK.
- △ NON CUMULATIVE.



DIM. A	NO. OF POS.	PART NUMBER
50.00	10	2-1776266-5
120.00	24	2-1776266-4
115.00	23	2-1776266-3
110.00	22	2-1776266-2
105.00	21	2-1776266-1
100.00	20	2-1776266-0
95.00	19	1-1776266-9
90.00	18	1-1776266-8
85.00	17	1-1776266-7
80.00	16	1-1776266-6
75.00	15	1-1776266-5
70.00	14	1-1776266-4
65.00	13	1-1776266-3
60.00	12	1-1776266-2
55.00	11	1-1776266-1
50.00	10	1-1776266-0
45.00	9	1776266-9
40.00	8	1776266-8
35.00	7	1776266-7
30.00	6	1776266-6
25.00	5	1776266-5
20.00	4	1776266-4
15.00	3	1776266-3
10.00	2	1776266-2



2-1776266-5

THIS DRAWING IS A CONTROLLED DOCUMENT.		DWN S SCHLEGEL 5/6/05	Tyco Electronics Corporation Harrisburg, Pa 17105-3608	
DIMENSIONS: mm		CHK C RICHARD 5/6/05		
TOLERANCES UNLESS OTHERWISE SPECIFIED:		APVD C RICHARD 5/6/05	NAME	
0 PLC ± - 1 PLC ± 0.3 2 PLC ± 0.25 3 PLC ± - 4 PLC ± - ANGLES ± -		PRODUCT SPEC	TERMINAL BLOCK PCB MOUNT, STRAIGHT SIDE WIRE ENTRY, LOW PROFILE w/3.5mm pins W/INTERLOCK, 5.00mm PITCH, HIGH TEMP	
MATERIAL		FINISH	SIZE A3	CAGE CODE 00779
			DRAWING NO C-1776266	
			RESTRICTED TO	
			SCALE NTS SHEET 1 OF 2 REV 02	

THIS DRAWING IS UNPUBLISHED.

RELEASED FOR PUBLICATION

© COPYRIGHT - BY TYCO ELECTRONICS CORPORATION. ALL RIGHTS RESERVED.

LOC	DIST	REVISIONS			
P	LTR	DESCRIPTION	DATE	DWN	APVD
FT	0	SEE SHEET 1	-	-	-

1. Application and Features:

- 1-1. Standard sizes are 2 and 3 way-blocks, but every number of contact can be combined, by simply plugging them together and can be ordered as required**
- 1-2. With wire guard for wire protection (for that the screw doesn't press directly on the wire)

2-3. Mechanical:

- 2-3-1. Torque: 4 Kg.cm (Max).
- 2-3-2. Operating temperature: -55°C to +105°C.
- 2-3-3. Solderability: 95% coverage (min).


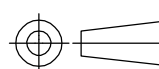
2. Technical Data:

2-1. Material:

- 2-1-1. HOUSING: NYLON 6.6, UL 94 V-0, (Green).
- 2-1-2. Metal Housing: Brass(Cu Zn)
Cu,Tin plated.
- 2-1-3. Wire guard: Stainless steel.
- 2-1-4. Screw: Steel galvanized and chromated, M2.6

2-2. Electrical:

- 2-2-1. Current rating: 10 Amps/way max.
- 2-2-2. Contact resistance: 20mΩ (Max).
- 2-2-3. Insulation resistance: 5000MΩ /1000V.
- 2-2-4. Withstanding Voltage: 1500VAC (1min).
- 2-2-5. Operation Voltage: 300 VAC.
- 2-2-6. Wire Range: 14-22 AWG.

THIS DRAWING IS A CONTROLLED DOCUMENT.		DWN S SCHLEGEL	5/6/05	 Tyco Electronics Corporation Harrisburg, Pa 17105-3608	
DIMENSIONS: mm		CHK C RICHARD	5/6/05	NAME	
		APVD C RICHARD	5/6/05	TERMINAL BLOCK PCB MOUNT, STRAIGHT SIDE WIRE ENTRY, LOW PROFILE w/3.5mm pins W/INTERLOCK, 5.00mm PITCH, HIGH TEMP	
TOLERANCES UNLESS OTHERWISE SPECIFIED:		PRODUCT SPEC		RESTRICTED TO	
0 PLC ± -		APPLICATION SPEC		SIZE	CAGE CODE
1 PLC ± 0.3		WEIGHT		DRAWING NO	REV
2 PLC ± 0.25		-		A3	00779
3 PLC ± -		-		C=1776266	
4 PLC ± -		-		SCALE	
ANGLES ± -		-		NTS	
MATERIAL		-		SHEET	
FINISH		-		2 OF 2	
-		-		REV	
-		-		02	
-		-		CUSTOMER DRAWING	